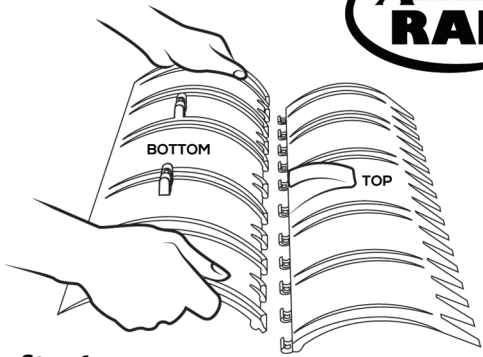


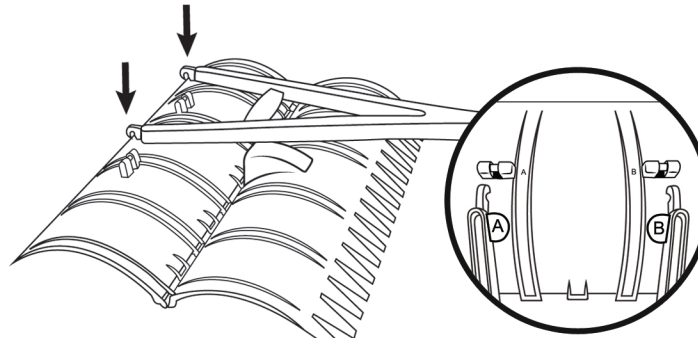


TELESCOPE HANDLE ASSEMBLY INSTRUCTIONS



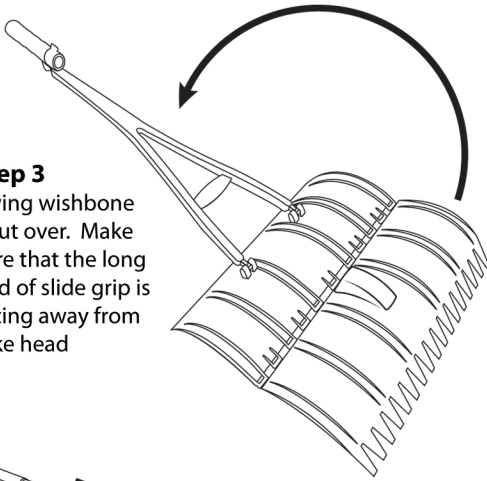
Step 1

Place rake "Top" on flat surface. With both hands, align male ends of rake "Bottom" over female ends of rake "Top". Push down firmly to snap into place.



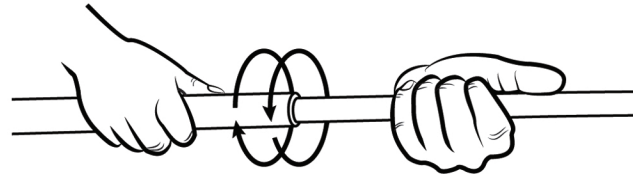
Step 2

Open the rake head and lay on a hard surface so front side is facing up. Lay wishbone strut across the rake head as shown so the ends of the wishbone strut align directly over keeper rods. **Note:** Make sure points "A" and "B" on wishbone strut match up with points "A" and "B" on rake head. Apply firm down pressure with the palm of your hand or the sole of your foot to snap into place.



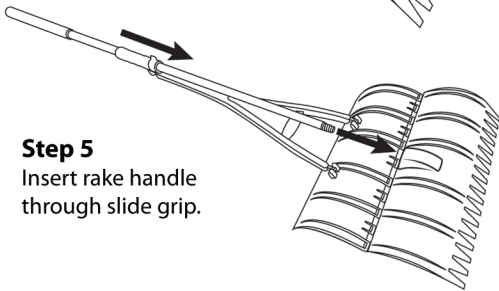
Step 3

Swing wishbone strut over. Make sure that the long end of slide grip is facing away from rake head



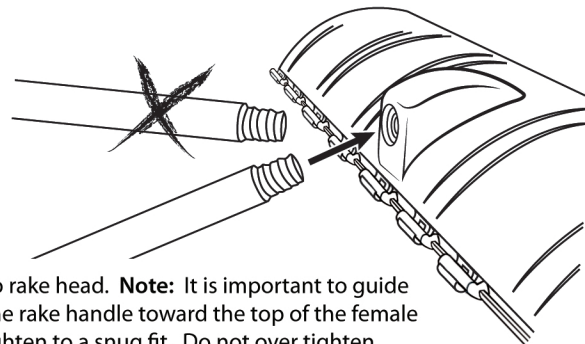
Step 4

Extend telescope handle by twisting upper section of handle to the left to loosen, fully extend handle, twist back to the right to tighten.



Step 5

Insert rake handle through slide grip.



Step 6

Screw rake handle into rake head. **Note:** It is important to guide the threaded end of the rake handle toward the top of the female threaded opening. Tighten to a snug fit. Do not over tighten.



FULL ONE YEAR WARRANTY

R & R Group, LLC warrants the AMAZING RAKE product against any defects that are due to the faulty material or workmanship for a one-year period after the original date of consumer purchase. It is important that you keep the original sales receipt as proof of purchase for this warranty to be honored. The warranty covers only repair or replacement of the product itself. The warranty does not include damage to the product resulting from accident or misuse.

If the product should become defective within the warranty period, please call or write our business office with details. We will either send new parts(s) to replace the defective part or elect to send a new replacement rake free of charge. This is your exclusive warranty.

R & R Group, LLC

R & R Group, LLC
PO Box 2232 Granite Bay, California 95746
(800) 826-6144 Fax (916) 899-5127
www.amazingrake.com

Made in USA